



section

4

FILTERED SERIES (FD)



SECTION 4

General information	32
Contact arrangement	32
Filtered series	33
Insertion loss characteristics	35
How to order	36



IGG uses standard D-Subminiature Components which offers a cost effective production and are 100% compatible with equivalent products according to DIN41652, MIL-C-24308 and IEC80F-2. These filtering standards are achieved by incorporating a chip capacitor plate in the assembly of the connectors.

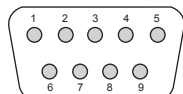
FD Series is a low cost filtered connector that features :

- Grounding points (pin connector only);
- straight P.C.B., 90° R/A, Wire-Wrap, and solder cup versions available;
- standard mounting options (brackets, spacers, clinch-nuts, etc);
- plating according to customer specifications.

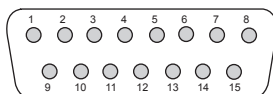
The capacity values of the filtered plates range from 180pF up to 6800pF (ceramic X7R). Custom capacity plates, ferrite plates and low-cost stamped contact version also available upon request to our factory.

D-SUBMINIATURE CONNECTORS
FILTERED SERIES (FD)

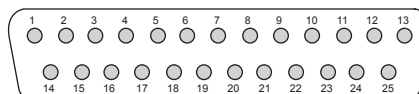
CONTACT ARRANGEMENT FILTERED SERIES



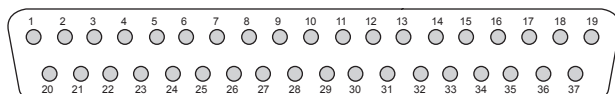
E-9



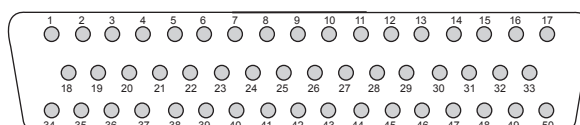
A-15



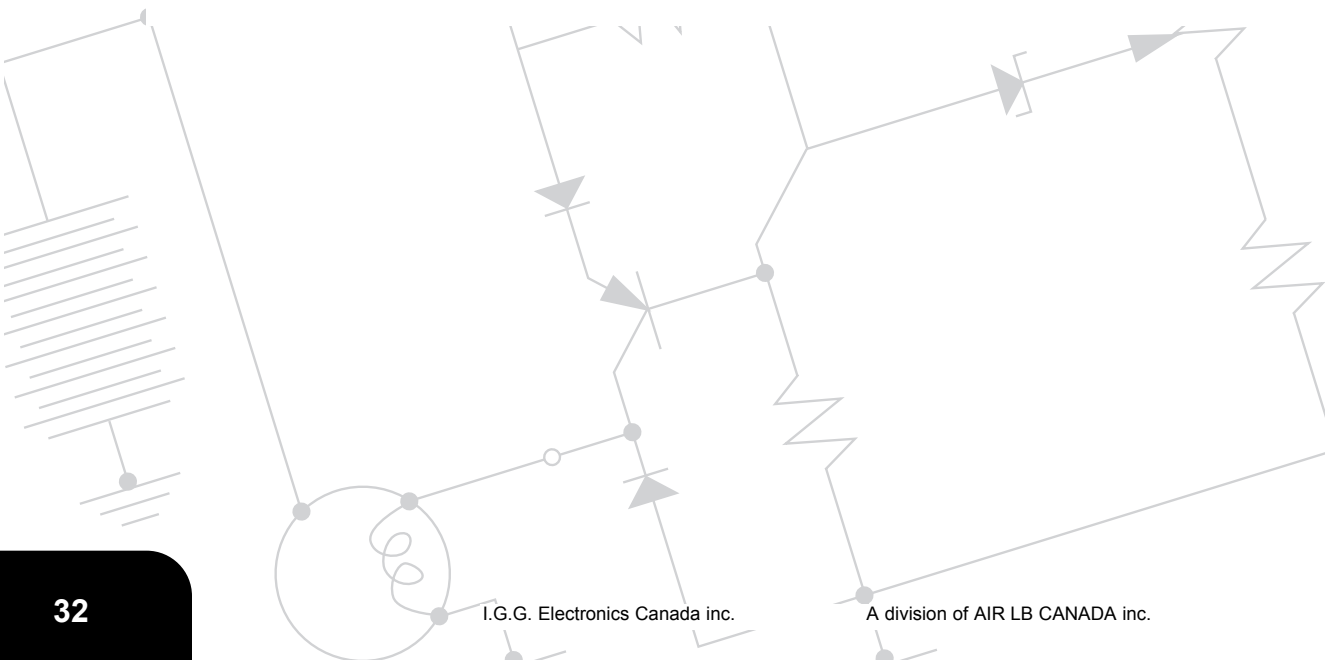
B-25



C-37



D-50



Filtered Series (FD)

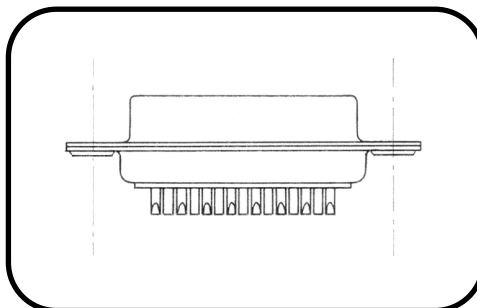
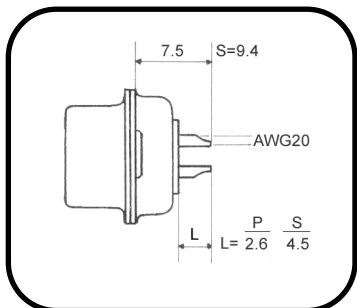
The IGG FSD Filtered Connectors are designed for industrial applications and provide an excellent EMI/RFI protection.

Technical Data

Keystone-shaped steel shells, tin plated.
Self-extinguishing thermoplastic insulator rated UL-94 VO.

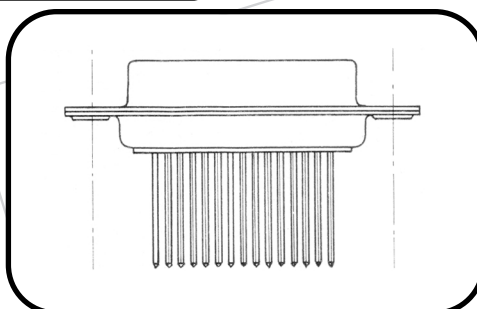
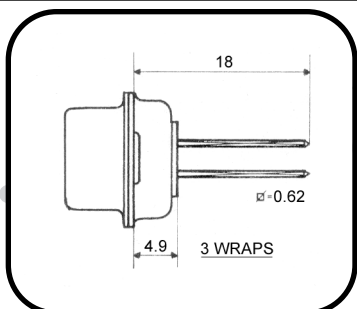
Operating temperature: -55°C +125°C
Contacts: Plugs in brass, sockets in phosphore bronze, with Gold over Nickel plating
Test voltage: 1000 V (V. eff. 50Hz)
Working voltage: 300 V (V. eff. 50 Hz)
Current rating per contact: 7A
Insulator resistance: $5 \times 10^9 \Omega$
Contact resistance: 3 m Ω
Withdrawal force to apply: 3.3 N/Contact

SOLDER CUPS



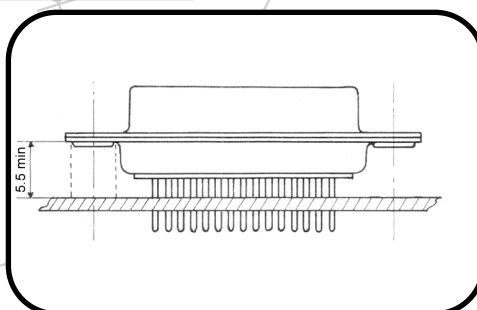
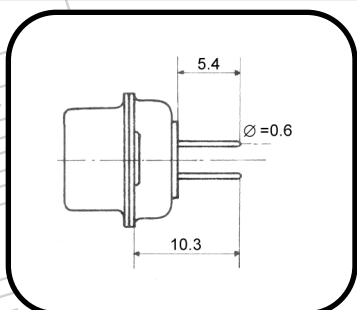
CONTACTS		PART NUMBER
9	male	FD 10009P
	female	FD 10009S
15	male	FD 10015P
	female	FD 10015S
25	male	FD 10025P
	female	FD 10025S
37	male	FD 10037P
	female	FD 10037S
50	male	FD 10050P
	female	FD 10050S

WIRE-WRAP PINS



CONTACTS		PART NUMBER
9	male	FD 20009P
	female	FD 20009S
15	male	FD 20015P
	female	FD 20015S
25	male	FD 20025P
	female	FD 20025S
37	male	FD 20037P
	female	FD 20037S
50	male	FD 20050P
	female	FD 20050S

STRAIGHT P.C.B.

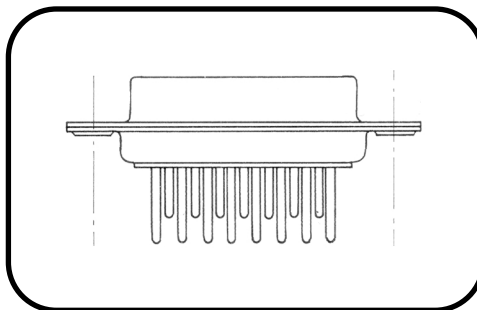
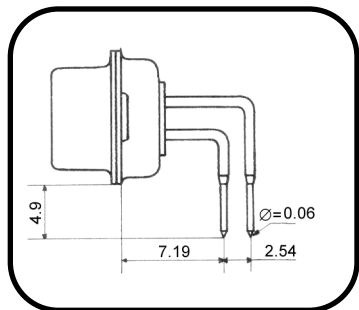


CONTACTS		PART NUMBER
9	male	FD 30009P
	female	FD 30009S
15	male	FD 30015P
	female	FD 30015S
25	male	FD 30025P
	female	FD 30025S
37	male	FD 30037P
	female	FD 30037S
50	male	FD 30050P
	female	FD 30050S

D-SUBMINIATURE CONNECTORS
FILTERED SERIES (FD)

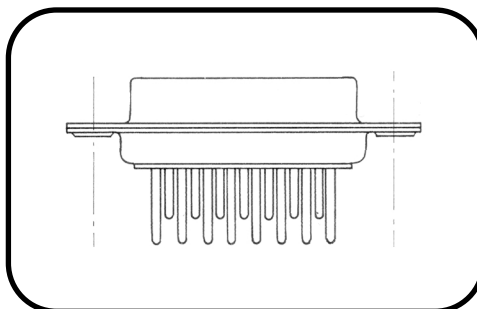
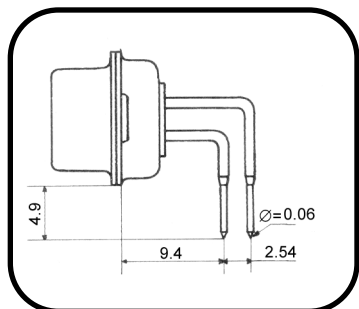


90° P.C.B.



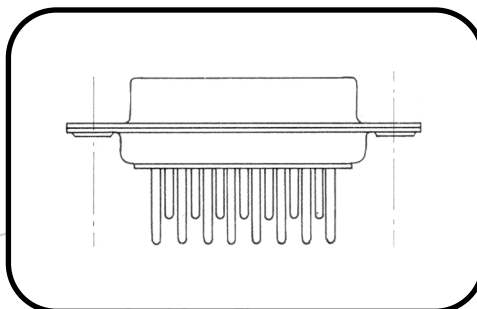
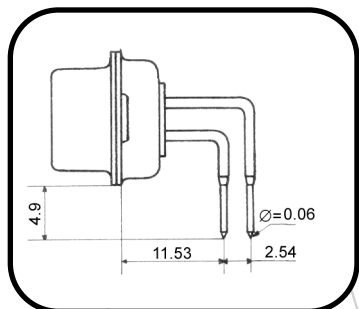
CONTACTS		PART NUMBER
9	male	FD40009P
	female	FD40009S
15	male	FD40015P
	female	FD40015S
25	male	FD40025P
	female	FD40025S
37	male	FD40037P
	female	FD40037S
50	male	FD40050P
	female	FD40050S

90° P.C.B.



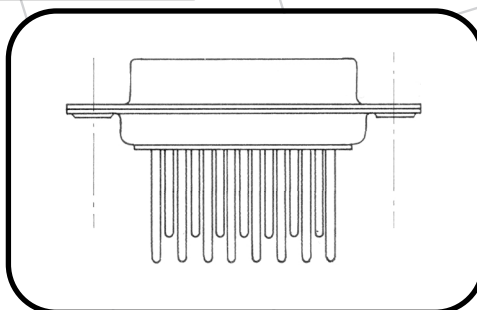
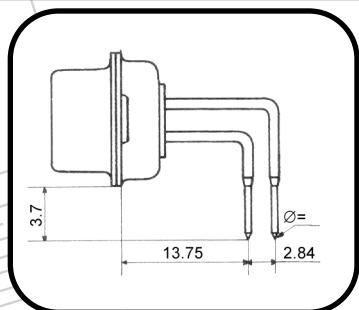
CONTACTS		PART NUMBER
9	male	FD50009P
	female	FD50009S
15	male	FD50015P
	female	FD50015S
25	male	FD50025P
	female	FD50025S
37	male	FD50037P
	female	FD50037S
50	male	FD50050P
	female	FD50050S

90° P.C.B.



CONTACTS		PART NUMBER
9	male	FD60009P
	female	FD60009S
15	male	FD60015P
	female	FD60015S
25	male	FD60025P
	female	FD60025S
37	male	FD60037P
	female	FD60037S
50	male	FD60050P
	female	FD60050S

LONG 90° P.C.B.

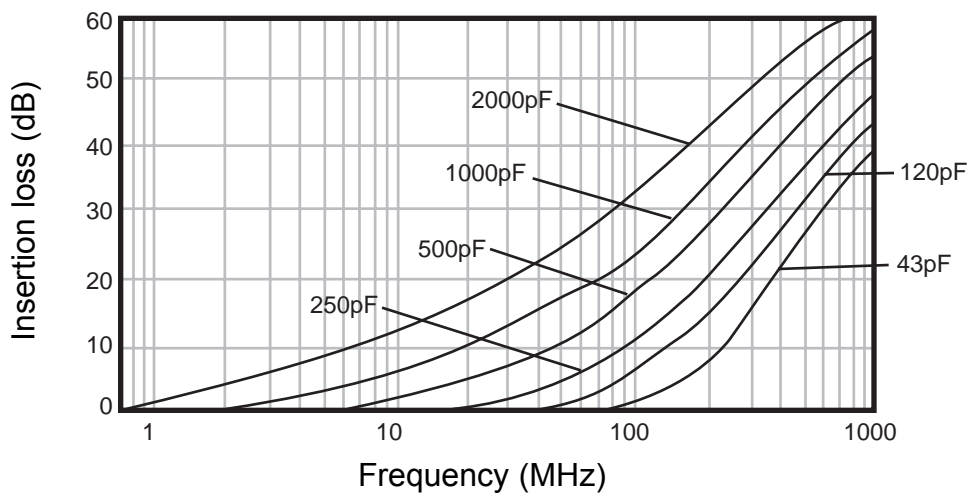


CONTACTS		PART NUMBER
9	male	FD70009P
	female	FD70009S
15	male	FD70015P
	female	FD70015S
25	male	FD70025P
	female	FD70025S
37	male	FD70037P
	female	FD70037S

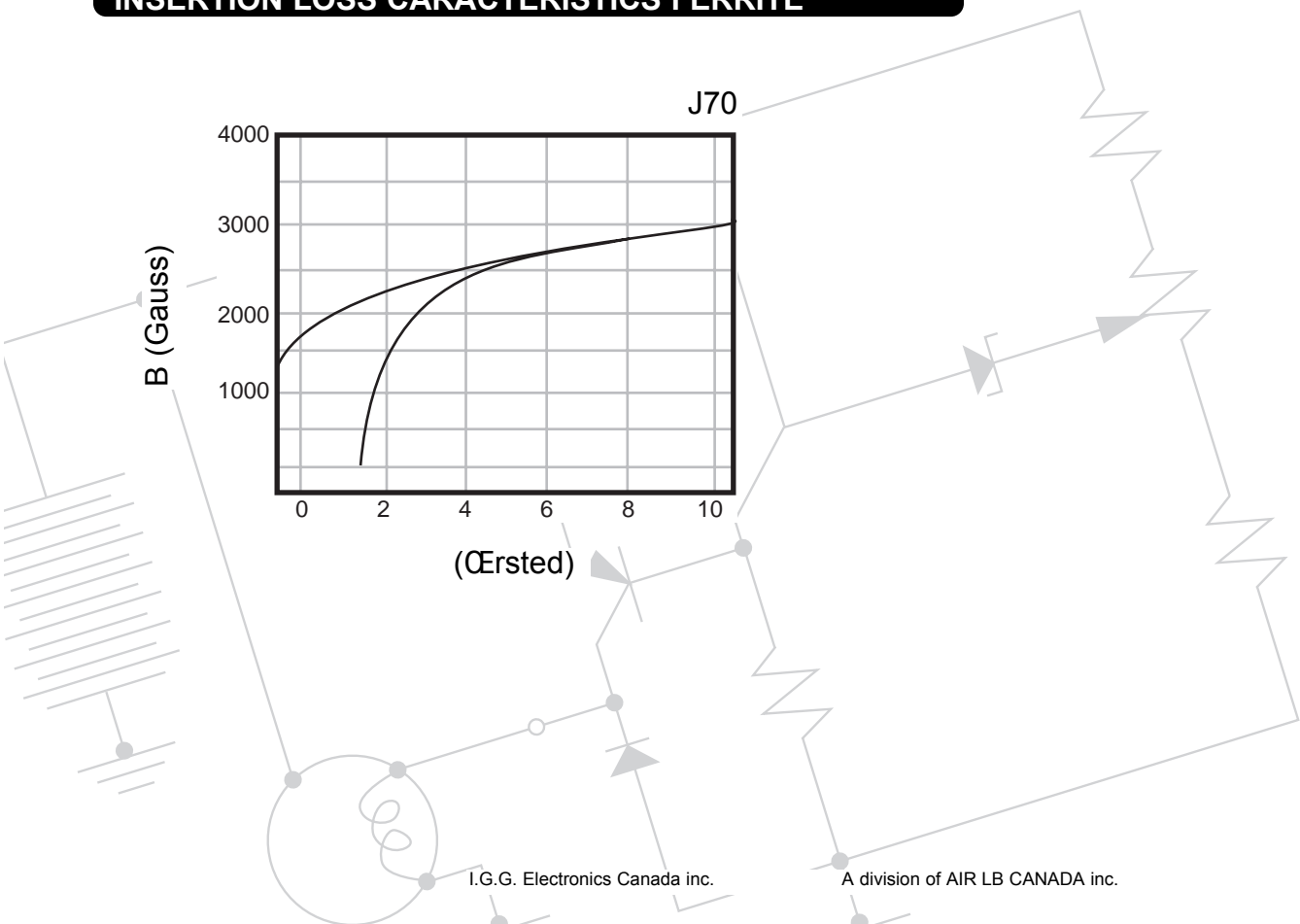
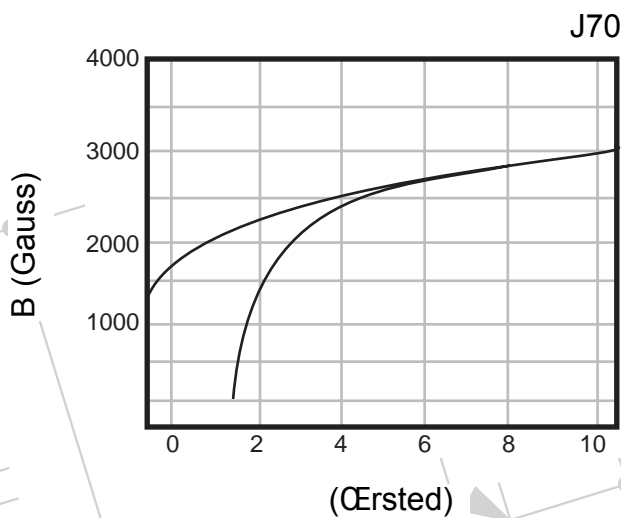


INSERTION LOSS CHARACTERISTICS CAPACITANCE

Attenuation per MIL-STD-220 at 25°C with no applied voltage or current (typical readings).



INSERTION LOSS CHARACTERISTICS FERRITE



D-SUBMINIATURE CONNECTORS
FILTERED SERIES (FD)



How to order

CONTACTS OUTLET

- 10: Solder Cup (AWG 20)
- 20: Wire-Wrap (3 Wraps)
- 21: Wire-Wrap (2 Wraps)
- 30: Straight P.C.B. 0.60
- 31: Straight P.C.B. 0.72
- 32: Straight P.C.B. 1.02
- 40: 90° P.C.B. 2.54 btwn rows 0.60 dim 7.19mm
- 41: 90° P.C.B. 2.84 btwn rows 0.72 dim 7.19mm
- 50: 90° P.C.B. 2.54 btwn rows 0.60 dim 9.40mm
- 51: 90° P.C.B. 2.84 btwn rows 0.72 dim 9.40mm
- 60: 90° P.C.B. 2.54 btwn rows 0.60 dim 11.53mm
- 61: 90° P.C.B. 2.84 btwn rows 0.72 dim 11.53mm
- 70: 90° P.C.B. 2.54 btwn rows 0.60 dim 13.75mm
- 71: 90° P.C.B. 2.84 btwn rows 0.72 dim 13.75mm

Right Angle Variations

- 0: No Accessories
- 1: With plastic brackets
- 2: With plastic brackets (Thin)
- 3: With metal brackets
- 4 : With metal brackets and board locks

SIZE AND NUMBER OF CONTACTS

09, 15, 25, 37, 50 contacts (size E, A, B, C, D)

PLATING

/ : 0.30 standard no designator
 1 : 0,50
 2 : 0,80

FILTER

- 270 pF
- 330 pF
- 470 pF
- 680 pF
- 1000 pF
- 1500 pF
- 2200 pF

For ferrite, replace capacitor value



SERIES PREFIX

Filtered Series (FD)

MOUNTING TYPE

- 0 : Standard - 3.05 mm mounting holes
- 1 : Float mounting
- 2 : Reverse mounting
- 3 : Female screw-lock
- 4 : 4-40 clinch nuts (3.5 mm)
- 5 : M3 clinch nuts (3.5 mm)
- 6 : Snap-in spacers (5.6 mm)
- 7 : 4-40 spacers (5.5 mm)
- 8 : 4-40 spacers front mount
- 9 : M3 spacers (5.5 mm)

TYPE OF CONTACT

- P : Pin (male)
- S : Socket (female)

please consult factory for every special requirement.