

section

# 3

## HIGH DENSITY SERIES (HD)



### SECTION 3

General information	26
Contact arrangement	26
High Density series	27
How to order	30

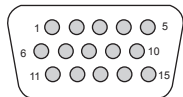


The IGG High Density S-Subminiature connectors are well suited for compact designs and I/O applications in computer peripheral, data processing and telecommunications and industrial applications. Their industry standard configurations provide mating with many options. our low profile metal shells provides a long life cycle and EMI/RFI reductions.

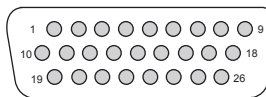
### FEATURES:

- Industry compatible 15,26,44,62, and 78 positions
- Maximizes PC board space
- Available in many mounting styles
- Filtered version available
- Mates with all industry standard High Density D-Subminiature Connectors

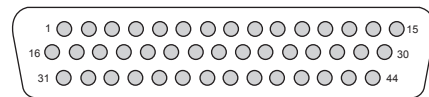
### CONTACT ARRANGEMENT HIGH DENSITY



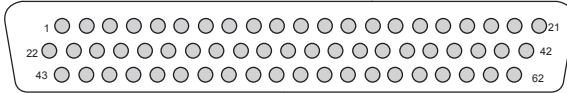
E-15



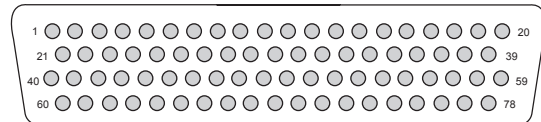
A-26



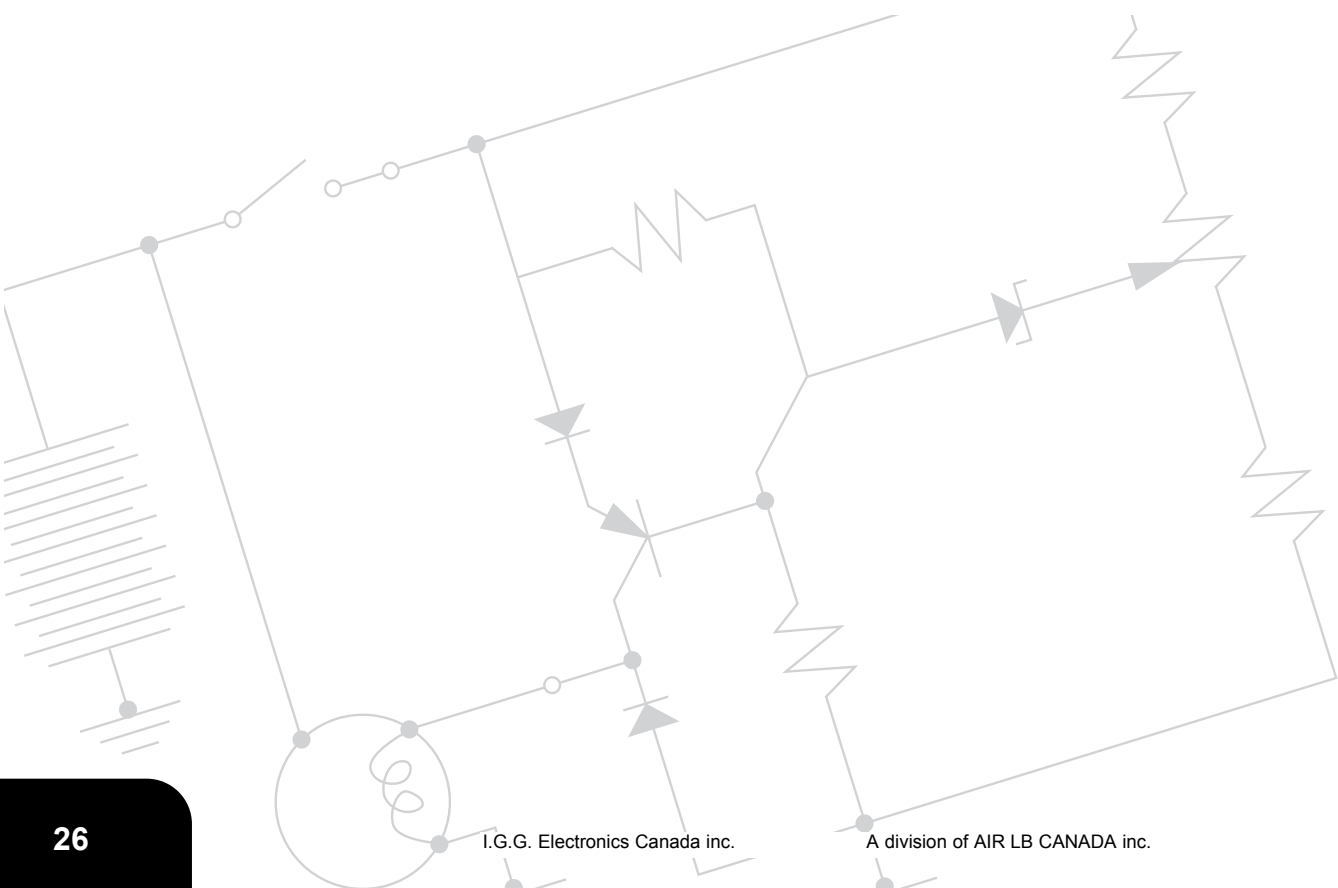
B-44



C-62



D-78



D-SUBMINIATURE CONNECTORS  
HIGH DENSITY SERIES (HD)

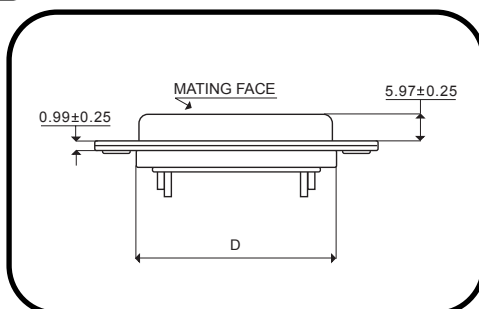
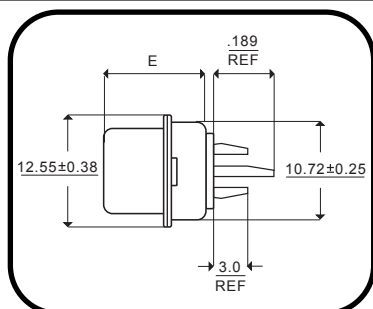
### High Density Series (HD)

The High-Density connector series is available in sizes from 15 positions to 78 positions, and are incorporated in standard shell sizes and accept wire AWG# 22-28.

#### Technical Data

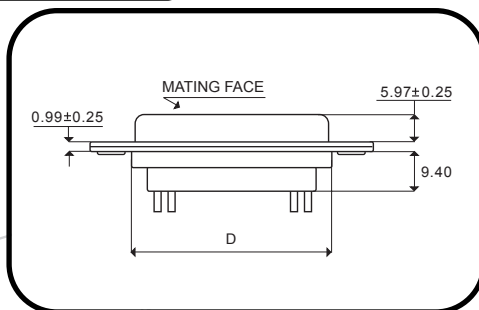
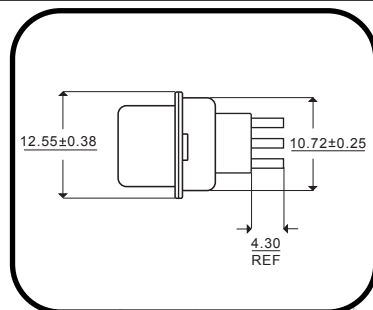
Current rating : 1 Amp  
 Dielectric Withstanding Voltage : 1000 VAC/1 minute  
 Contact Resistance : <math> < 20\text{m}\Omega </math>  
 Insulation Resistance : >5000m $\Omega$   
 Operating Temperature : -40C - 105C  
 Flammability Rating : UL94V-O  
 Contacts : Phosphor Bronze or Copper Alloy  
 Plating : Selective Gold on contact surface area  
 Insulator : Black Glass Filled Polyester

#### SOLDER CUP



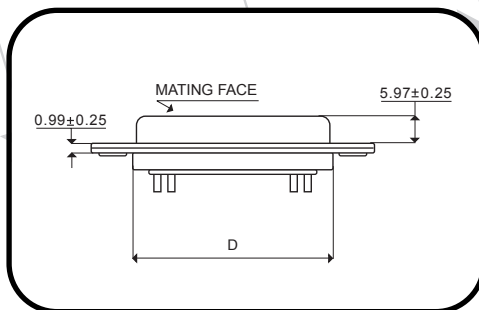
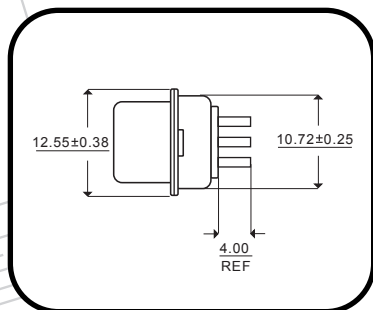
CONTACTS		PART NUMBER
15	male	HD10015P
	female	HD10015S
26	male	HD10026P
	female	HD10026S
44	male	HD10044P
	female	HD10044S
62	male	HD10062P
	female	HD10062S
78	male	HD10078P
	female	HD10078S

#### STRAIGHT PCB HIGH PROFILE



CONTACTS		PART NUMBER
15	male	HD20015P
	female	HD20015S
26	male	HD20026P
	female	HD20026S
44	male	HD20044P
	female	HD20044S
62	male	HD20062P
	female	HD20062S
78	N/A	

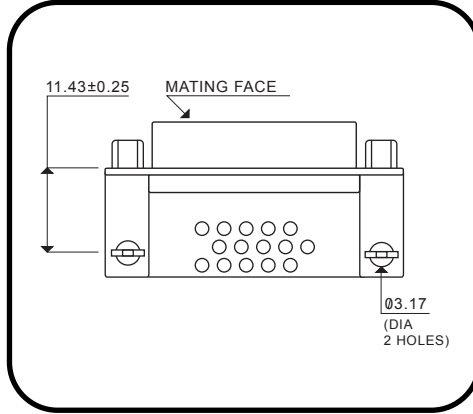
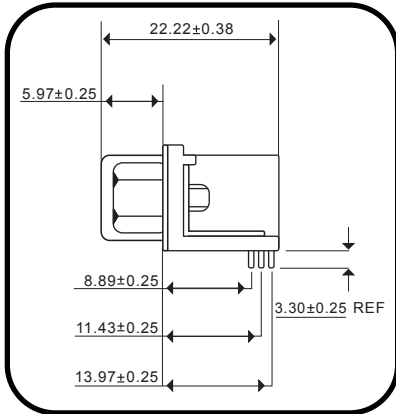
#### STRAIGHT PCB



CONTACTS		PART NUMBER
15	male	HD30015P
	female	HD30015S
26	male	HD30026P
	female	HD30026S
44	male	HD30044P
	female	HD30044S
62	male	HD30062P
	female	HD30062S
78	male	HD30078P
	female	HD30078S

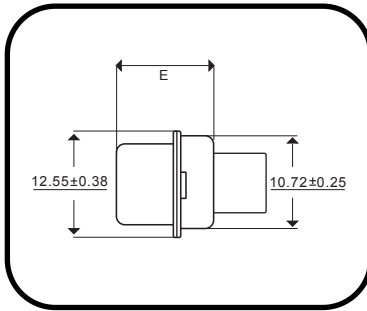
D-SUBMINIATURE CONNECTORS  
HIGH-DENSITY SERIES (HD)

### RIGHT ANGLE



CONTACTS		PART NUMBER
<b>15</b>	male	HD80015P
	female	HD80015S
<b>26</b>	male	HD80026P
	female	HD80026S
<b>44</b>	male	HD80044P
	female	HD80044S
<b>62</b>	male	HD80062P
	female	HD80062S
<b>78</b>	male	HD80078P
	female	HD80078S

### CRIMP HOUSING

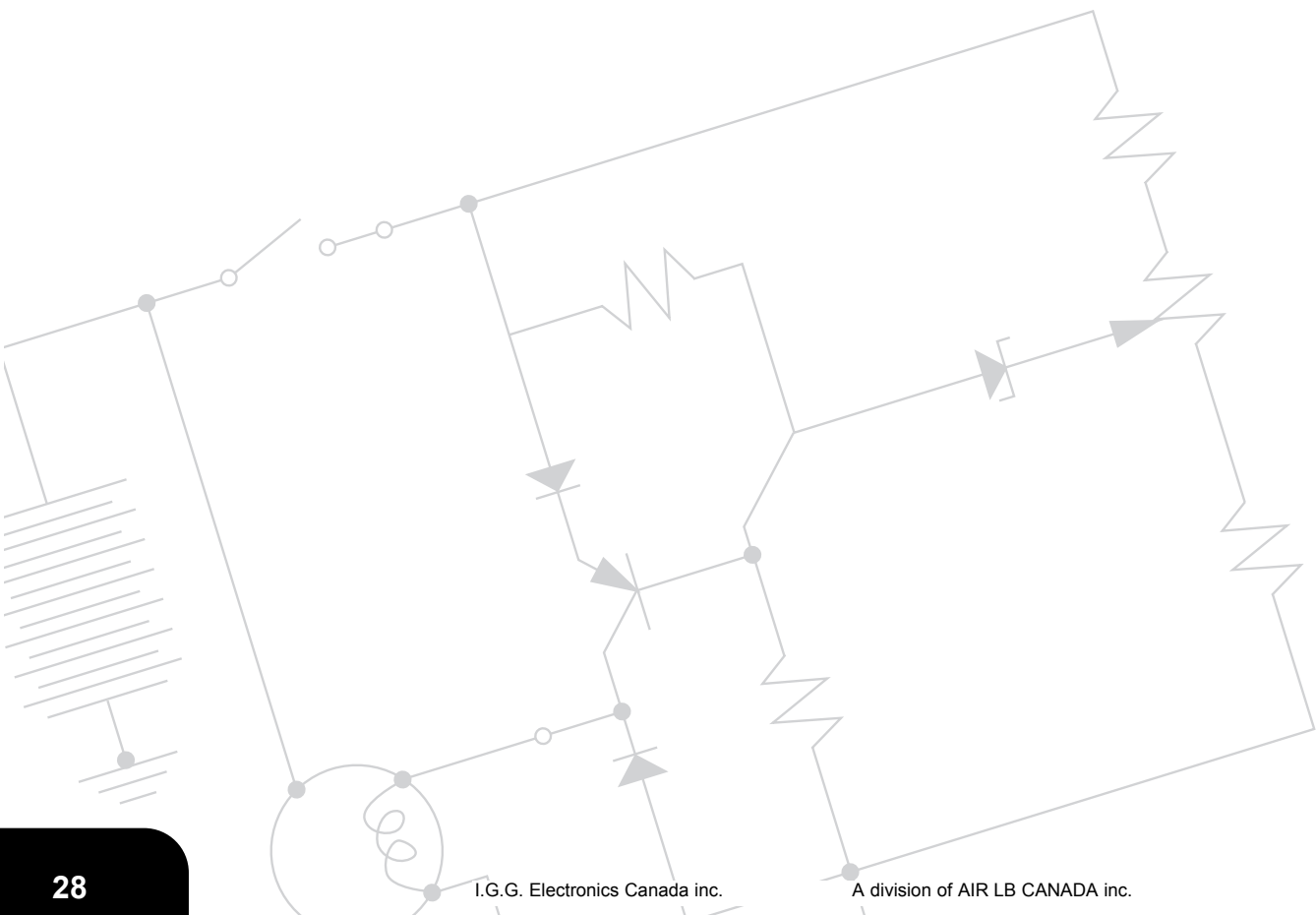


#### Shell options

- Standard : yellow chromate
- 2 : tin plate/grounding indents

CONTACTS		PART NUMBER
<b>15</b>	male	CDH0015P
	female	CDH0015S
<b>26</b>	male	CDH0026P
	female	CDH0026S
<b>44</b>	male	CDH0044P
	female	CDH0044S
<b>62</b>	male	CDH0062P
	female	CDH0062S
<b>78</b>	male	CDH0078P
	female	CDH0078S

D-SUBMINIATURE CONNECTORS  
HIGH DENSITY SERIES (HD)





### How to order

#### CONTACTS OUTLET

- 10 : Solder Cup (AWG 20)
- 20 : Straight P.C.B. (High Profile)
- 30 : Straight P.C.B. 2.54 mm spacing
- 80 : 90° P.C.B. 2.54 btwn rows 8.07 mm foot print

#### MOUNTING TYPE

- 0 : Standard - 3.05 mm mounting holes
- 1 : Float mounting
- 2 : Reverse mounting

#### Right Angle Variations

- X : Grounding brackets and 4/40 jack screws
- N : Grounding brackets and 4/40 riveted inserts
- NJ : Grounding brackets and 4/40 riveted inserts and jack screws

#### PLATING

- / : 0.30 standard no designator
- 1 : 0,50
- 2 : 0,80



HD

1 0

0

26

S

#### SERIES PREFIX

- HD : Stamped contacts
- CDH : Crimp series
- THD : With tin shells

#### SIZE AND NUMBER OF CONTACTS

15, 26, 44, 62, 78 contacts (size E, A, B, C, D)

#### TYPE OF CONTACT

- P : Pin (male)
- S : Socket (female)

please consult factory for every special requirement.