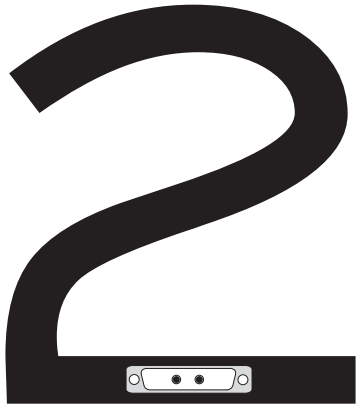




section

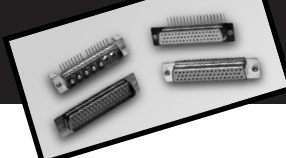


STAMPED CONTACT SERIES (DS)



SECTION 2

General information	20
Contact arrangement	20
Stamped contact series	21
How to order	23

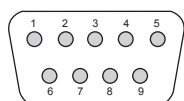


The IGG DS series connectors have been design for easy usage and to give a cost saving answer to the new equipment requirement and PCB mounting for industry needs.

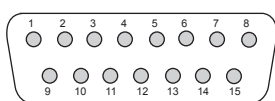
- Fast locking by snap-in bracket available
- Precision formed contact with selective plating
- Available in solder-cup, straight PCB, 90* P.C.B.
- Excellent value quality/cup

D-SUBMINIATURE CONNECTORS
STAMPED CONTACT SERIES (DS)

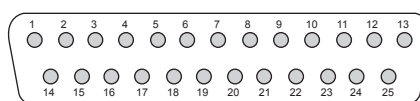
CONTACT ARRANGEMENT STANDARD SERIES



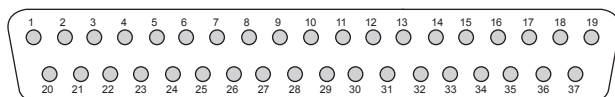
E-9



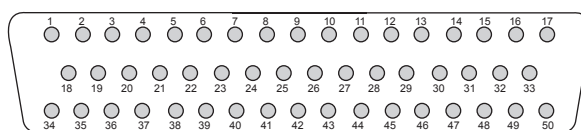
A-15



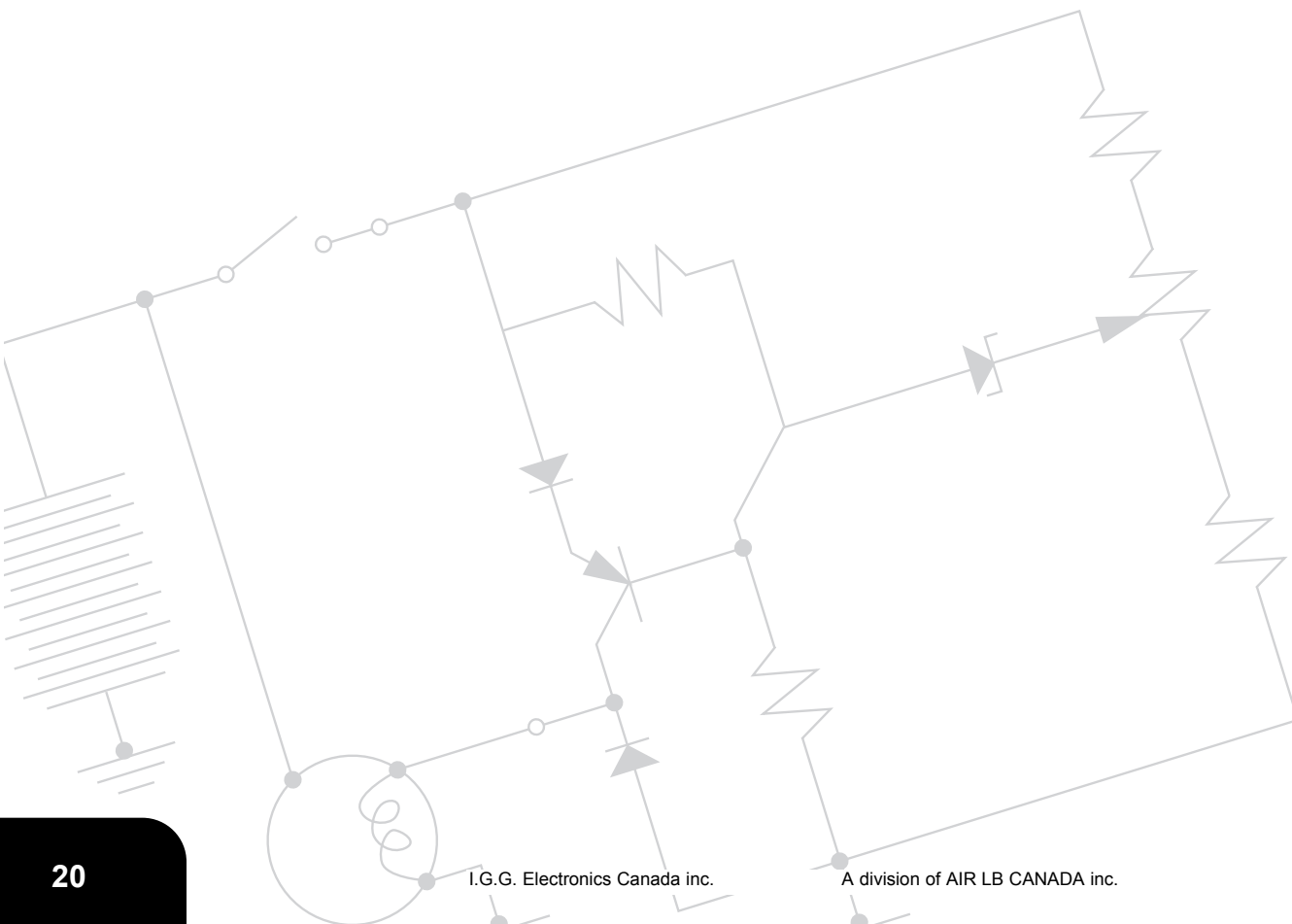
B-25



C-37



D-50



Stamped Contact Series (DS)

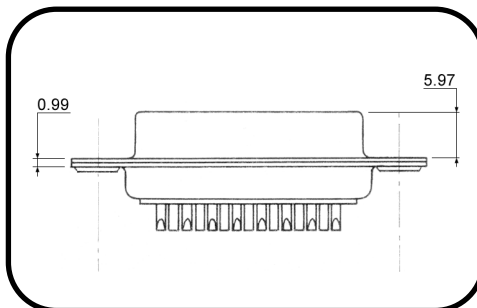
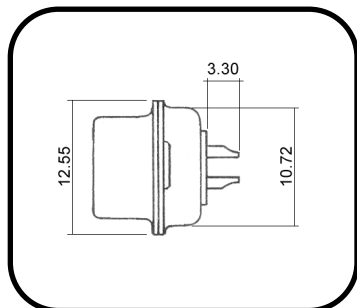
The "DS" series connectors have been designed for an easier usage and to give a cost saving answer to the new requirements of equipments.

Technical Data

Keystone-shaped steel shells, yellow-chromate coating.
Self-extinguishing thermoplastic insulator rated UL-94 VO.

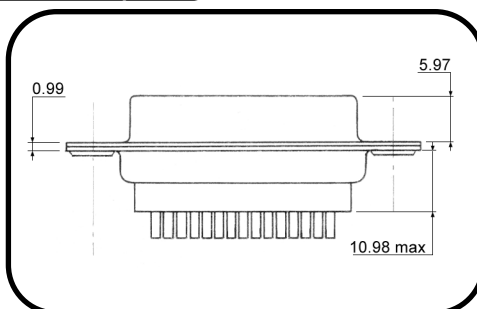
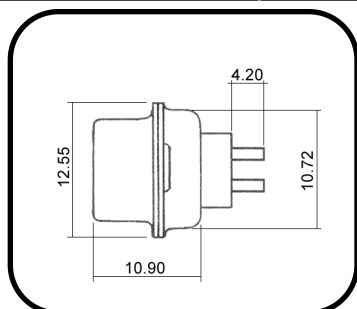
Operating temperature : -55°C +125°C
Contacts : Plugs in brass, sockets in phosphore bronze, with Gold over Nickel plating
Test voltage : 1000 V (V. eff. 50Hz)
Working voltage : 300 V (V. eff. 50 Hz)
Current rating per contact : 7A
Insulator resistance : $5 \times 10^9 \Omega$
Contact resistance : 3 m Ω
Withdrawal force to apply : 3.3 N/Contact

SOLDER CUPS



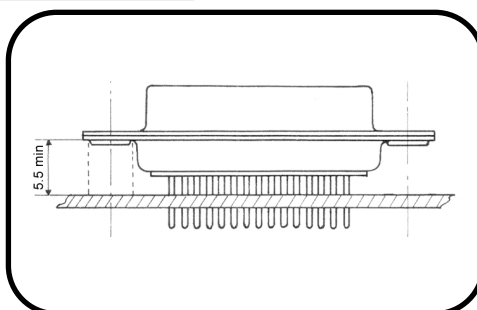
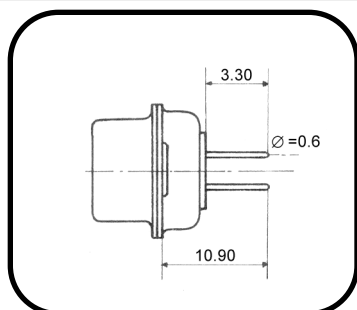
CONTACTS		PART NUMBER
9	male	DS 10009 P
	female	DS 10009 S
15	male	DS 10015 P
	female	DS 10015 S
25	male	DS 10025 P
	female	DS 10025 S
37	male	DS 10037 P
	female	DS 10037 S
50	male	DS 10050 P
	female	DS 10050 S

STRAIGHT P.C.B. (HIGH PROFILE)



CONTACTS		PART NUMBER
9	male	DS 20009 P
	female	DS 20009 S
15	male	DS 20015 P
	female	DS 20015 S
25	male	DS 20025 P
	female	DS 20025 S
37	male	DS 20037 P
	female	DS 20037 S
50	male	DS 20050 P
	female	DS 20050 S

STRAIGHT P.C.B.

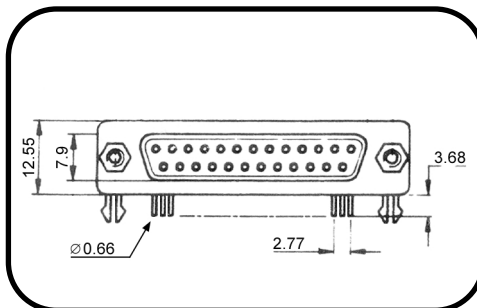
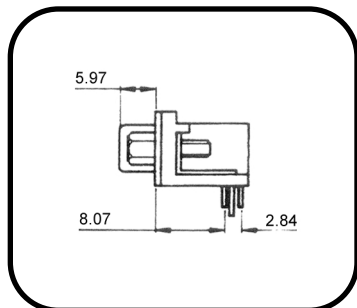


CONTACTS		PART NUMBER
9	male	DS 30009 P
	female	DS 30009 S
15	male	DS 30015 P
	female	DS 30015 S
25	male	DS 30025 P
	female	DS 30025 S
37	male	DS 30037 P
	female	DS 30037 S
50	male	DS 30050 P
	female	DS 30050 S



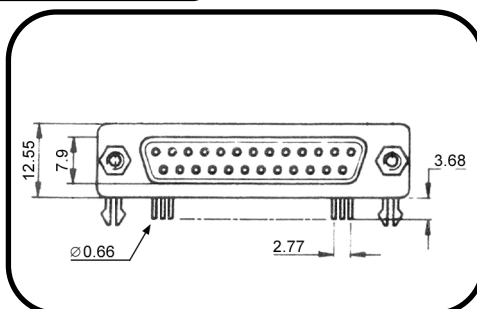
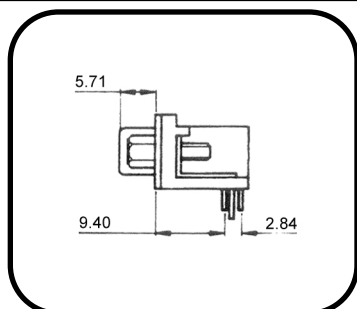
D-SUBMINIATURE CONNECTORS
STAMPED CONTACT SERIES (DS)

PLASTIC RIGHT ANGLE



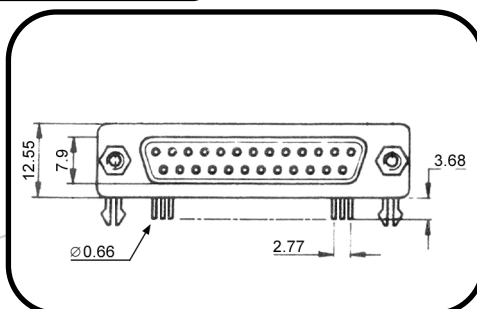
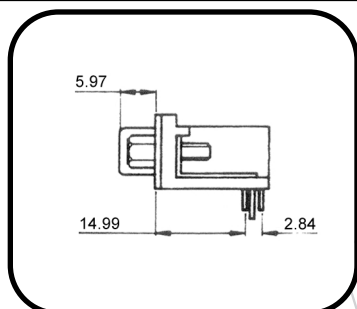
CONTACTS		PART NUMBER
9	male	DS40009P
	female	DS40009S
15	male	DS40015P
	female	DS40015S
25	male	DS40025P
	female	DS40025S
37	male	DS40037P
	female	DS40037S
50	male	DS40050P
	female	DS40050S

90° P.C.B.



CONTACTS		PART NUMBER
9	male	DS50009P
	female	DS50009S
15	male	DS50015P
	female	DS50015S
25	male	DS50025P
	female	DS50025S
37	male	DS50037P
	female	DS50037S
50	male	DS50050P
	female	DS50050S

90° P.C.B.



CONTACTS		PART NUMBER
9	male	DS60009P
	female	DS60009S
15	male	DS60015P
	female	DS60015S
25	male	DS60025P
	female	DS60025S
37	male	DS60037P
	female	DS60037S
50	male	DS60050P
	female	DS60050S

How to order

CONTACTS OUTLET

- 10 : Solder Cup (AWG 20)
- 20 : Straight P.C.B. (High Profile)
- 30 : Straight P.C.B. 2.84 mm spacing
- 40 : 90° P.C.B. 2.84 btwn rows 8.07 foot print
- 50 : 90° P.C.B. 2.54 btwn rows 9.40 foot print
- 60 : 90° P.C.B. 2.54 btwn rows 14.99 mm foot print

MOUNTING TYPE

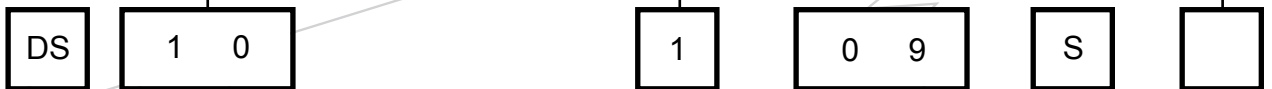
- 0 : Standard - 3.05 mm mounting holes
- 1 : Float mounting
- 2 : Reverse mounting
- 3 : Female screw-lock
- 4 : 4-40 clinch nuts (3.5 mm)
- 5 : M3 clinch nuts (3.5 mm)
- 6 : Snap-in Spacers (5.6 mm)
- 7 : 4-40 Spacers (5.5 mm)
- 8 : 4-40 Spacers front mount
- 9 : M3 Spacers (5.5 mm)

Right Angle Variations

- X : Grounding brackets and 4/40 jack screws
- P : Grounding brackets and 4/40 riveted inserts
- Y : Short mounting flange with 8 mm hole dimensions and grounding brackets and jack screws
- G : With 4/40 riveted inserts
- O : With grounding straps and 3,18 mm diam non-threaded mounting holes and riveted treated inserts
- NJ : Grounding brackets and 4/40 riveted inserts and jack screws

PLATING

- / : 0.30 standard no designator
- 1 : 0,50
- 2 : 0,80



SERIES PREFIX

- DS : Stamped contacts
- TDS : With Tin shells

SIZE AND NUMBER OF CONTACTS

09, 15, 25, 37, 50 contacts (size E, A, B, C, D)

TYPE OF CONTACT

- P : Pin (male)
- S : Socket (female)