



section



STANDARD SERIES (D)



SECTION 1

General information	6
Contact arrangement	6
Standard series	8
Crimp series	10
How to order	11
Dual-Port series	12
How to order	13
Combo series	14
How to order	17



D-SUBMINIATURE CONNECTORS
STANDARD SERIES (D)

I.G.G. connectors inter-mate with all other D-SUBMINIATURE connectors on the market. We offer a large range of connectors and accessories:

- **Connectors** :
 - standard type;
 - crimp type with rear assembly;
 - with grounding indents;
 - with monoblock insulator, meeting the MIL-C-24308 requirements.
- **Housing shells and assemblies.**

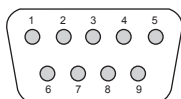
All these connectors are offered in 5 shell sizes for 9, 15, 37, and 50 contacts, plugs or sockets, and are also available in High Density version for 15, 26, 44, 62 and 78 contacts.

Female shells are fitted with sockets and male shells with plugs. The specification male or female (plug or socket) always refers to contacts. Their keystone-shaped shell enables proper polarisation and coupling is made by friction. Locking accessories are available if necessary.

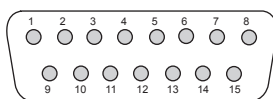
Different rear outlets are available:

- **solder cups** mainly designed for cable-to-panel, panel-to-panel installation, etc;
- **wire-wrapping pins**;
- **P.C.B. solder pins** enabling perpendicular, direct above-board mounting;
- **90° P.C.B. solder pins** for parallel direct above-board mounting.

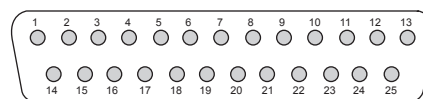
CONTACT ARRANGEMENT STANDARD SERIES



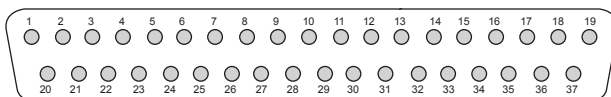
E-9



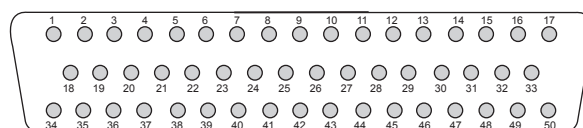
A-15



B-25



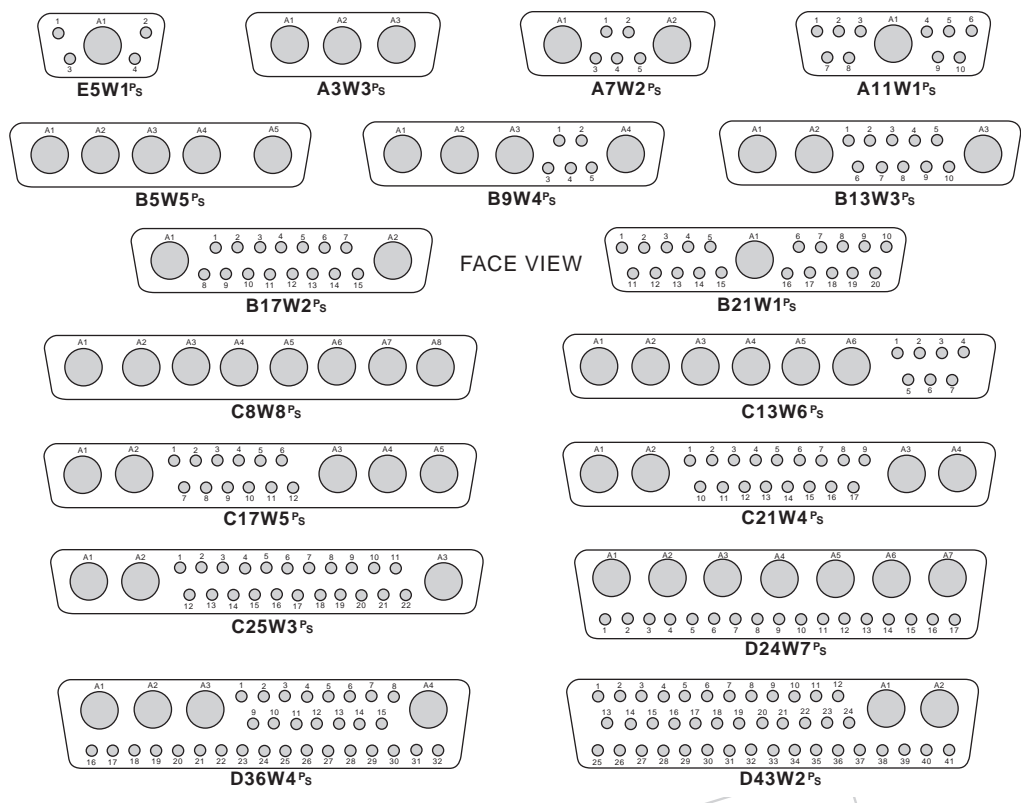
C-37



D-50

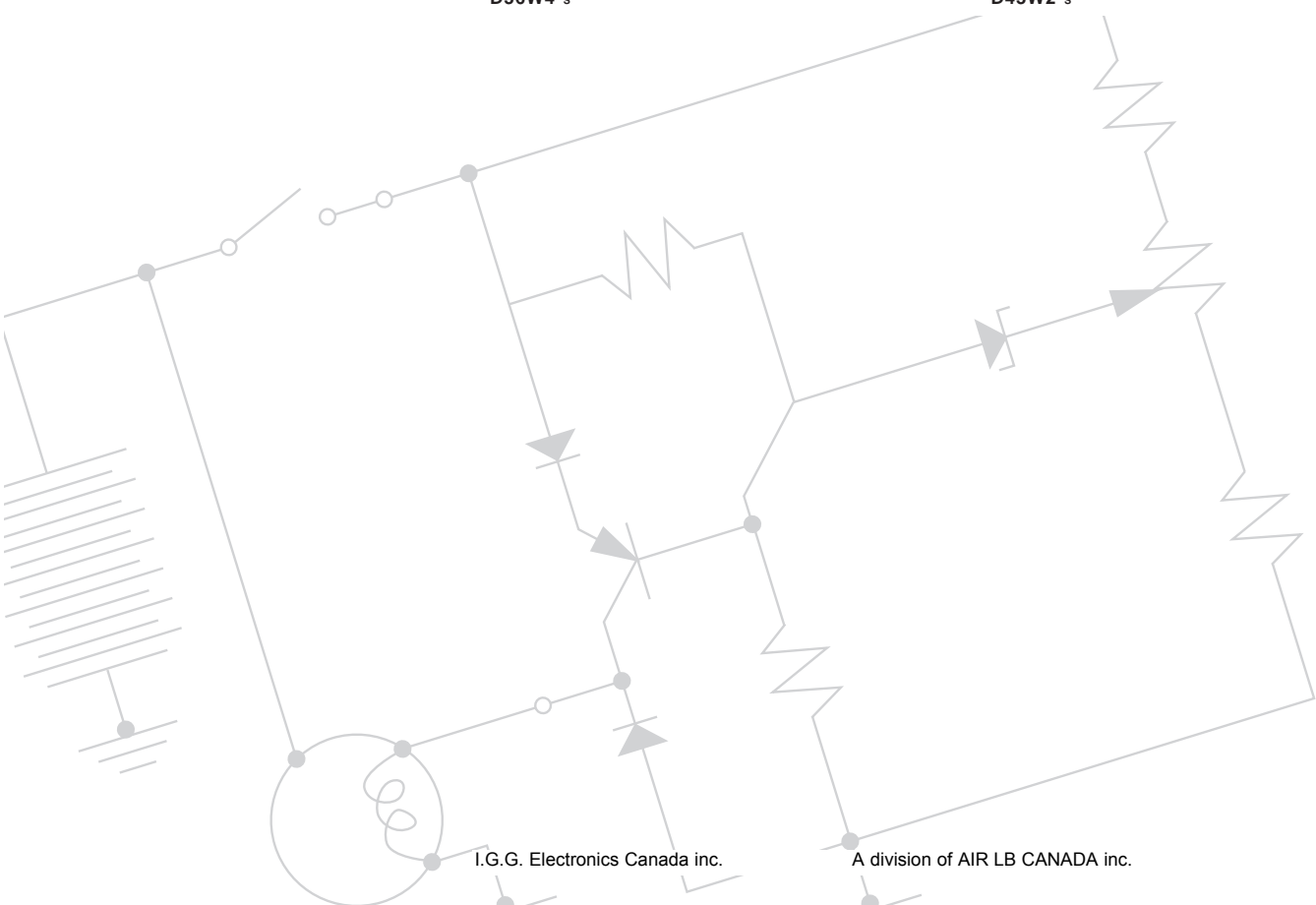


CONTACT ARRANGEMENT COMBO



FACE VIEW

D-SUBMINIATURE CONNECTORS
STANDARD SERIES (D)



Standard Series (D)

Thanks to their excellent mechanical and electrical characteristics, connectors from the Standard Series are especially designed for applications in most industries using electronics.

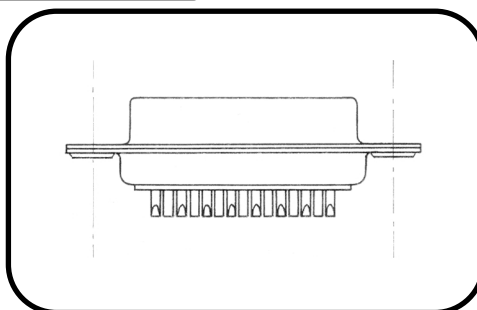
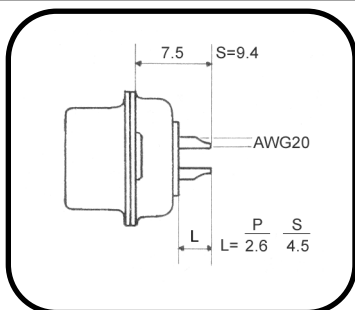
Technical Data

Keystone-shaped steel shells, tin plated.
Self-extinguishing thermoplastic insulator rated UL-94 VO.

Operating temperature : -55°C +125°C
Contacts : Plugs in brass, sockets in phosphore bronze, with Gold over Nickel plating
Test voltage : 1000 V (V. eff. 50Hz)
Working voltage : 300 V (V. eff. 50 Hz)
Current rating per contact : 5A
Insulator resistance : 5000 MΩ minimum
Contact resistance : 8 mΩ maximum
Withdrawal force to apply : 3.3 N/Contact
Contact finish : Gold flash over 100 micro inch nickel on entire contact area

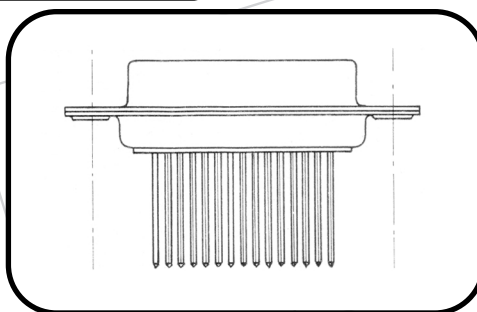
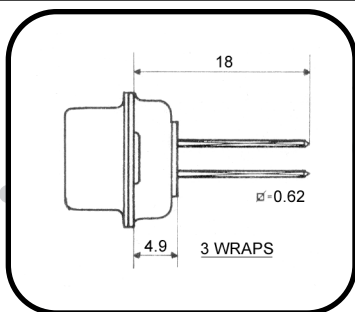
D-SUBMINIATURE CONNECTORS
STANDARD SERIES (D)

SOLDER CUPS



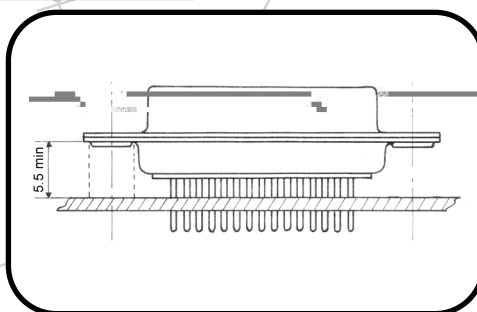
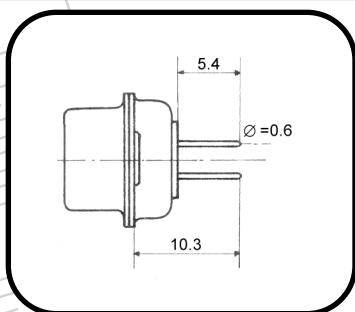
CONTACTS		PART NUMBER
9	male	D 10009 P
	female	D 10009 S
15	male	D 10015 P
	female	D 10015 S
25	male	D 10025 P
	female	D 10025 S
37	male	D 10037 P
	female	D 10037 S
50	male	D 10050 P
	female	D 10050 S

WIRE-WRAP PINS



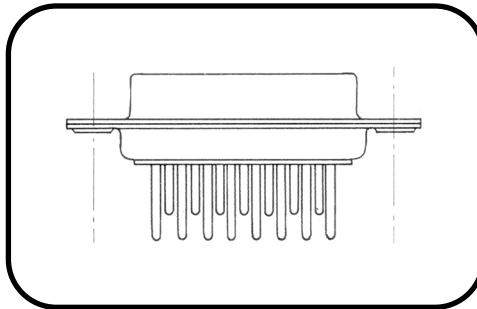
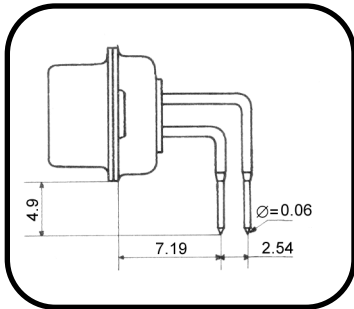
CONTACTS		PART NUMBER
9	male	D 20009 P
	female	D 20009 S
15	male	D 20015 P
	female	D 20015 S
25	male	D 20025 P
	female	D 20025 S
37	male	D 20037 P
	female	D 20037 S
50	male	D 20050 P
	female	D 20050 S

STRAIGHT P.C.B.



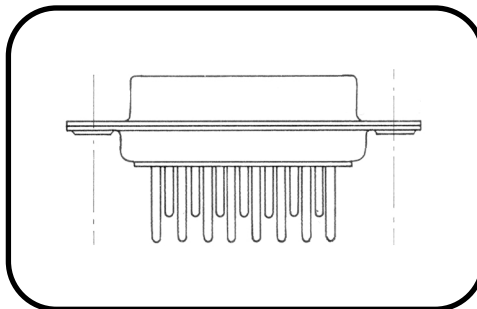
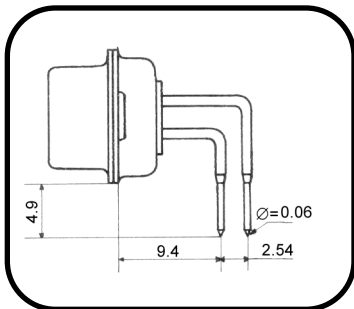
CONTACTS		PART NUMBER
9	male	D 30009 P
	female	D 30009 S
15	male	D 30015 P
	female	D 30015 S
25	male	D 30025 P
	female	D 30025 S
37	male	D 30037 P
	female	D 30037 S
50	male	D 30050 P
	female	D 30050 S

90° P.C.B.



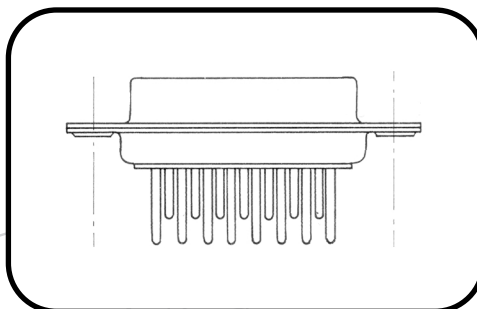
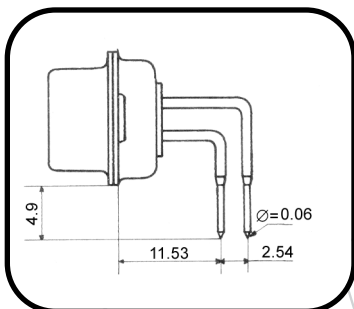
CONTACTS		PART NUMBER
9	male	D40009P
	female	D40009S
15	male	D40015P
	female	D40015S
25	male	D40025P
	female	D40025S
37	male	D40037P
	female	D40037S
50	male	D40050P
	female	D40050S

90° P.C.B.



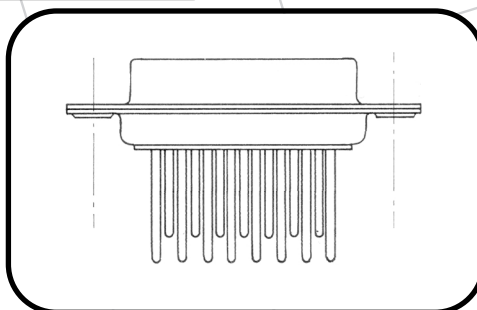
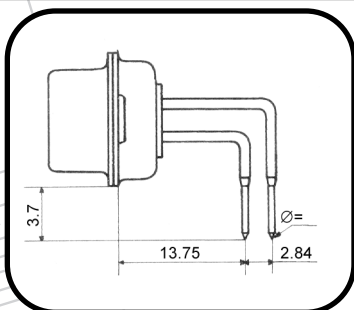
CONTACTS		PART NUMBER
9	male	D50009P
	female	D50009S
15	male	D50015P
	female	D50015S
25	male	D50025P
	female	D50025S
37	male	D50037P
	female	D50037S
50	male	D50050P
	female	D50050S

90° P.C.B.



CONTACTS		PART NUMBER
9	male	D60009P
	female	D60009S
15	male	D60015P
	female	D60015S
25	male	D60025P
	female	D60025S
37	male	D60037P
	female	D60037S
50	male	D60050P
	female	D60050S

LONG 90° P.C.B.



CONTACTS		PART NUMBER
9	male	D70009P
	female	D70009S
15	male	D70015P
	female	D70015S
25	male	D70025P
	female	D70025S
37	male	D70037P
	female	D70037S

D-SUBMINIATURE CONNECTORS
STANDARD SERIES (D)

Crimp Series (CD)

CD Series connectors enable a very acute use, and may be particularly profitable. They inter-mate with all types of D-Subminiature connectors on the market.

Shells are always delivered without contacts, which must be ordered separately. The crimp snap-in contacts accommodate wire sizes AWG 20 through AWG 28; they are inserted or removed from the rear side of the insulator.

Stamped contacts are supplied on reels and machined contacts loose.

Technical Data

Keystone-shaped steel shells with several different coating :

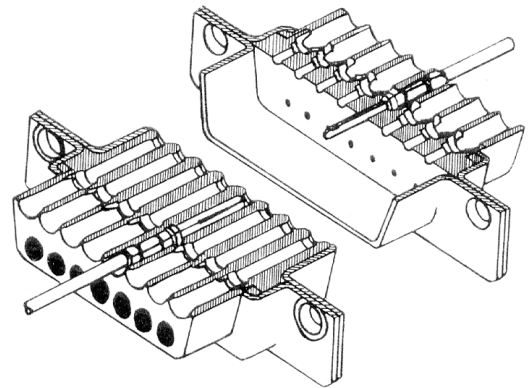
- Yellow chromate steel;
- tin plated steel;
- steel & grounding indents.

Black self-extinguishing thermoplastic insulator rated UL-94 VO.

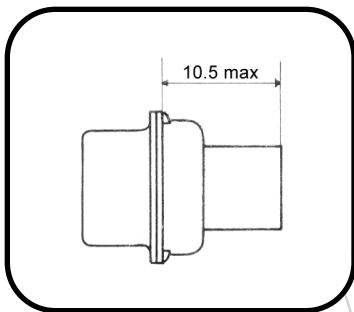
Operating temperature : -55°C +125°C

Contacts: Plugs in brass, sockets in phosphore bronze, with as coating :

- Machined contacts : gold over nickel;
- Stamped contacts :
 - 1- Nickel, then selective gold plate on contact zone;
 - 2- gold over nickel.



EMPTY SHELLS

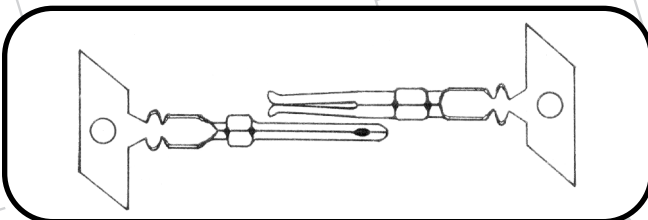


Shell options

- Standard** : yellow chromate
2 : tin plate/grounding indents

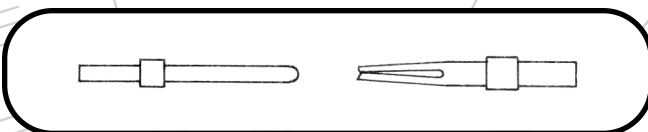
CONTACTS	TYPE	STANDARD	2
9	male	CD009P	CD009PTG
	female	CD009S	CD009ST
15	male	CD015P	CD015PTG
	female	CD015S	CD015ST
25	male	CD025P	CD025PTG
	female	CD025S	CD025ST
37	male	CD037P	CD037PTG
	female	CD037S	CD037ST
50	male	CD050P	CD050PTG
	female	CD050S	CD050ST

STAMPED CONTACTS



GOLD	GAUGE	TYPE	GOLD COATING (Microns)			
			0.3	0.5	0.8	1.27
Complete coating	20-24	male	SP303A	SP305A	SP308A	SP30MA
		female	SS403A	SS405A	SS408A	SS40MA
	26-28	male	SP503A	SP505A	SP508A	SP50MA
		female	SS603A	SS605A	SS608A	SS60MA
Selective coating	20-24	male	SP303B	SP305B	SP308B	SP30MB
		female	SS403B	SS405B	SS408B	SS40MB
	26-28	male	SP503B	SP505B	SS508B	SS50MB
		female	SS603B	SS605B	SS608B	SS60MB

MACHINED CONTACTS



GOLD	GAUGE	TYPE	GOLD COATING (Microns)			
			0.3	0.5	0.8	1.27
Complete coating	20-24	male	MP313A	MP315A	MP318A	MP31MA
		female	MS413A	MS415A	MS418A	MS41MA

D-SUBMINIATURE CONNECTORS
STANDARD SERIES (D)



How to order

CONTACTS OUTLET

- 10 : Solder Cup (AWG 20)
- 20 : Wire-Wrap (3 Wraps)
- 21 : Wire-Wrap (2 Wraps)
- 30 : Straight P.C.B. 0.60
- 31 : Straight P.C.B. 0.72
- 32 : Straight P.C.B. 1.02
- 40 : 90° P.C.B. 2.54 btwn rows 0.60 dim 7.19mm
- 41 : 90° P.C.B. 2.84 btwn rows 0.72 dim 7.19mm
- 50 : 90° P.C.B. 2.54 btwn rows 0.60 dim 9.40mm
- 51 : 90° P.C.B. 2.84 btwn rows 0.72 dim 9.40mm
- 60 : 90° P.C.B. 2.54 btwn rows 0.60 dim 11.53mm
- 61 : 90° P.C.B. 2.84 btwn rows 0.72 dim 11.53mm
- 70 : 90° P.C.B. 2.54 btwn rows 0.60 dim 13.75mm
- 71 : 90° P.C.B. 2.84 btwn rows 0.72 dim 13.75mm

Right Angle Variations

- 0 : No Accessories
- 1 : With plastic brackets
- 2 : With plastic brackets (Thin)
- 3 : With metal brackets
- 4 : With metal brackets and Board locks

SIZE AND NUMBER OF CONTACTS

09, 15, 25, 37, 50 contacts (size E, A, B, C, D)

PLATING

- / : 0.30 standard no designator
- 1 : 0,50
- 2 : 0,80
- M: 1.27 meets MIL Spec



SERIES PREFIX

- D : Standard D-Subminiature
- CD : Crimp Series
- TD : Tin plated shell

MOUNTING TYPE

- 0 : Standard - 3.05 mm mounting holes
- 1 : Float mounting
- 2 : Reverse mounting
- 3 : Female screw-lock
- 4 : 4-40 clinch nuts (3.5 mm)
- 5 : M3 clinch nuts (3.5 mm)
- 6 : Snap-in spacers (5.6 mm)
- 7 : 4-40 spacers (5.5 mm)
- 8 : 4-40 spacers front mount
- 9 : M3 spacers (5.5 mm)

TYPE OF CONTACT

- P : Pin (male)
- S : Socket (female)

please consult factory for every special requirement.



Dual-Port Series (DP)

The DP Series "Dual-Port" connectors consist of two specially designed D Series connectors, whose specific assembly enables input/output links for BUS systems used in telecommunications data processing.

This Series is also available with :

- captive screw machined contacts ;
- right angle PCB contact termination only ;
- quick mounting on P.C.B. ;
- fixed on tin plated metal brackets.

Technical Data

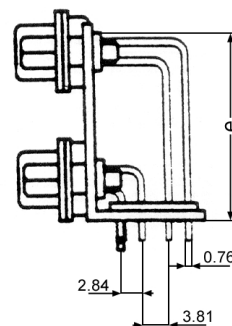
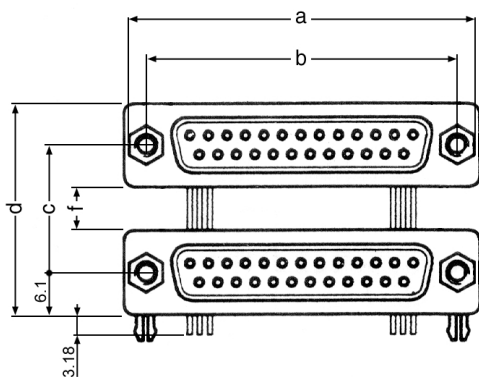
Shell : Tin plated steel
 Brackets : Tin plated metal
 Insulator : Thermoplastic
 Contacts : Copper alloy over nickel plating

Nb of matings : 200 cycles
 Operating temperature : -55°C +105°C

Max voltage in V RMS 50 Hz : 1000
 Rated voltage in V RMS 50 Hz : 300
 Max current rating per contact : 5 A
 Insulating resistance : $\geq 5 \text{ G}\Omega$
 Contact resistance : $\leq 10 \text{ m}\Omega$

D-SUBMINIATURE CONNECTORS
STANDARD SERIES (D)

DUAL-PORT DIMENSIONS

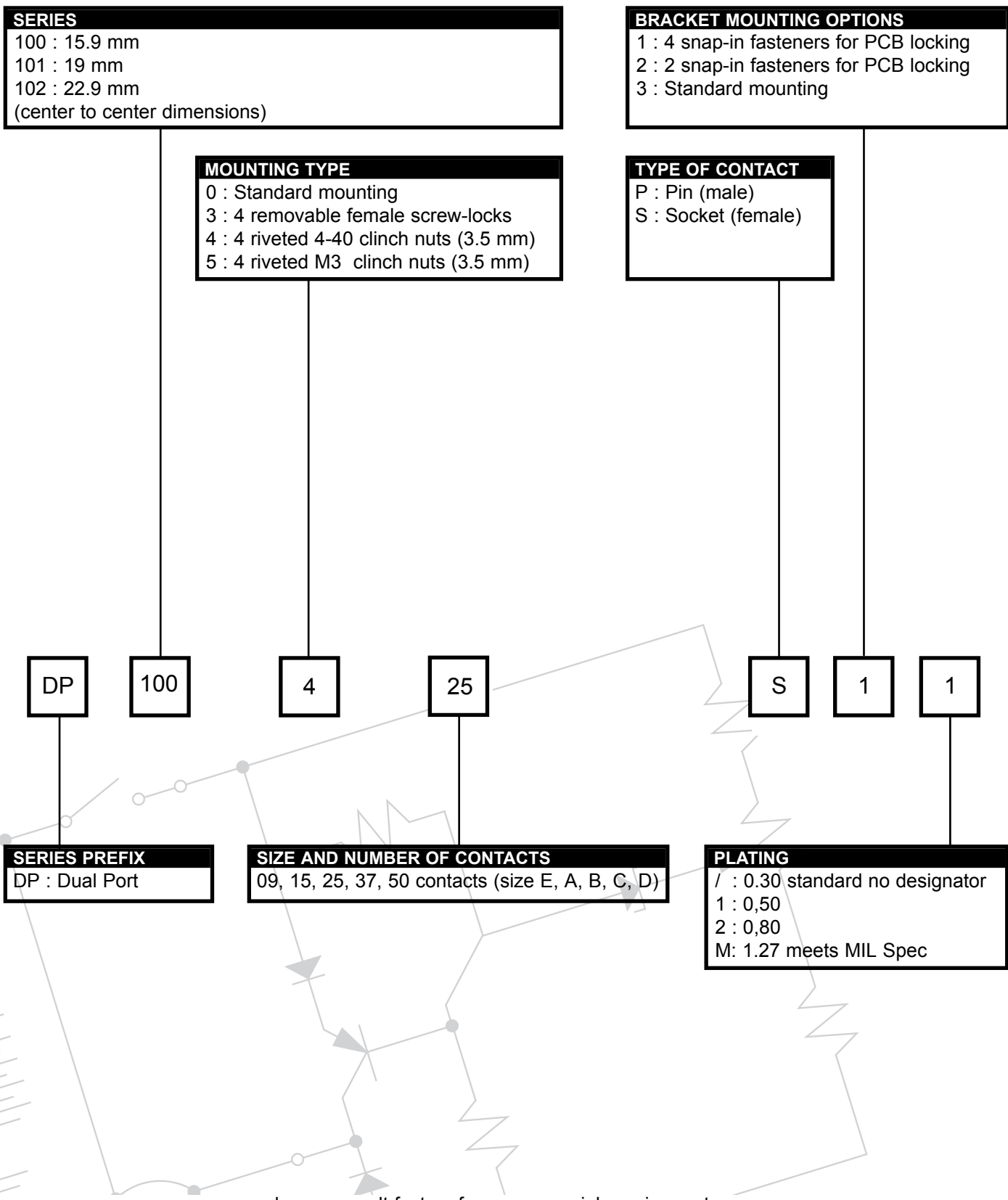


SHELL SIZE	Nb OF CONTACTS	DIMENSIONS	
		a	b
E	18	30,56	24,99
A	30	38,89	33,32

SERIES	DIMENSIONS			
	c	d	e	f
100	15,90	28,27	25,65	3,40
101	19,00	31,45	28,83	6,60
102	22,90	35,26	32,64	10,40



How to order



please consult factory for every special requirement.

Combo Series (D*W)

The monobloc-insulated MD Series is suited for applications requiring improved temperature characteristics and increased moisture resistance.

2 types of contact arrangements are available :

- **Basic arrangement** with 9, 15, 25, 37 and 50 contacts.
- **Combination arrangement** of standard contacts with coaxial, high-voltage and (or) high-power contacts.

Connectors fitted with "military finish" contacts meet the **MIL-C-24308** requirements (add M to order number; for instance : MD10137SM).

Technical Data

Keystone-shaped shells in zinc-plated steel. Yellow chromate coating.
Green monobloc insulator in glass-filled diallylphtalate according to MIL-M-14.

Operating temperature : -55°C +125°C

Test voltage : 1000 V (V.eff. 50Hz)

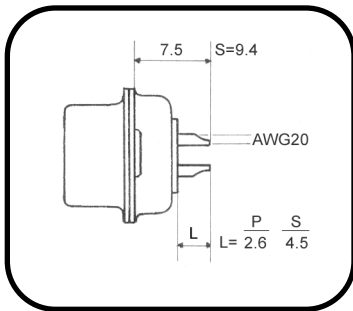
Working voltage : 300 V (V.eff. 50Hz)

Current rating per contact : 7.5 A

Insulator resistance : $5 \times 10^9 \Omega$

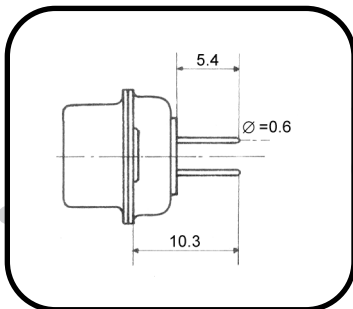
Contact resistance : 3 m Ω

SOLDER CUPS



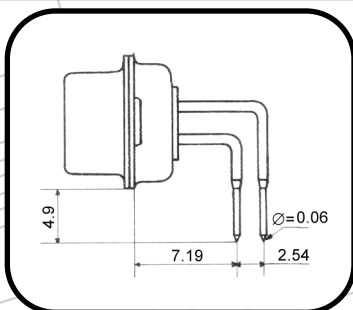
CONTACTS		PART NUMBER
9	male	MD10009P
	female	MD10009S
15	male	MD10015P
	female	MD10015S
25	male	MD10025P
	female	MD10025S
37	male	MD10037P
	female	MD10037S
50	male	MD10050P
	female	MD10050S

STRAIGHT P.C.B.



CONTACTS		PART NUMBER
9	male	MD30009P
	female	MD30009S
15	male	MD30015P
	female	MD30015S
25	male	MD30025P
	female	DD30025S
37	male	MD30037P
	female	MD30037S
50	male	MD30050P
	female	MD30050S

90° P.C.B.



CONTACTS		PART NUMBER
9	male	MD40009P
	female	MD40009S
15	male	MD40015P
	female	MD40015S
25	male	MD40025P
	female	MD40025S
37	male	MD40037P
	female	MD40037S
50	male	MD40050P
	female	MD40050S



COAXIAL CONTACTS FOR CRIMPED BRAID

Also available for solder braid.

V.S.W.R. max : 1.4 (DC to 1 GHz)

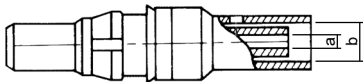
Impedance : 50 Ω

Plating variation

Standard : 0.8 μ m gold (500 cycles)

A 152 : 1.27 μ m gold (500 cycles)

A 100 : gold flash (200 cycles)



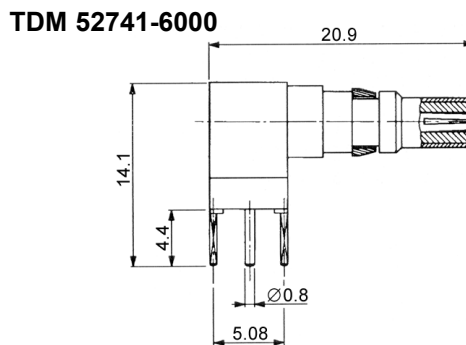
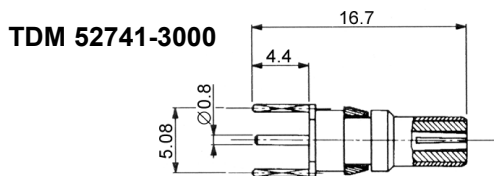
	PART #	a	b	MIL C 17 E	IMPEDANCE AT 200 MHz
	TDM 53740	0.95	2.3	RG 178 B/U	50
	TDM 51740-1	1.7	3.1	RG 179 B/U RG 316 B/U	75 50
	TDM 53740-3	2.7	5.09	RG 180 B/U RG 195 B/U	95
	TDM 53740-5	3.2	5.09	RG 58 C/U	50
	TDM 53741	0.95	2.3	RG 178 B/U	50
	TDM 51741-1	1.7	3.1	RG 179 B/U RG 316 B/U	75 50
	TDM 53741-3	2.7	5.09	RG 180 B/U RG 195 B/U	95
	TDM 53741-4	3.2	5.09	RG 58 C/U	50

	PART #	a	b	MIL C 17 E	IMPEDANCE AT 200 MHz
	TDM 53742	0.95	2.3	RG 178 B/U	50
	TDM 51742-1	1.7	3.1	RG 179 B/U RG 316 B/U	75 50
	TDM 53742-3	2.7	5.09	RG 180 B/U RG 195 B/U	95
	TDM 53742-5	3.2	5.09	RG 58 C/U	50
	TDM 53743	0.95	2.3	RG 178 B/U	50
	TDM 51743-3	1.7	3.1	RG 179 B/U RG 316 B/U	75 50
	TDM 53743-5	2.7	5.09	RG 180 B/U RG 195 B/U	95
	TDM 53743-6	3.2	5.09	RG 58 C/U	50

D-SUBMINIATURE CONNECTORS
STANDARD SERIES (D)

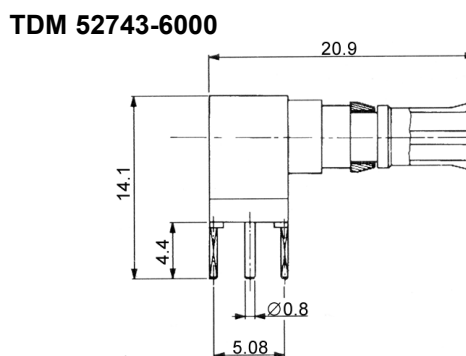
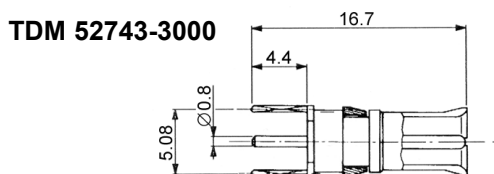
P.C.B. COAXIAL CONTACTS

D-SUBMINIATURE CONNECTORS
STANDARD SERIES (D)

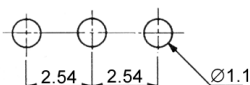


Plating variation

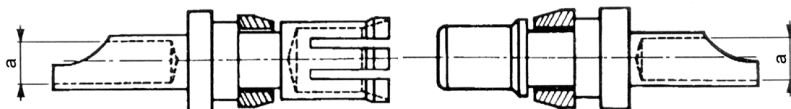
- Standard : 0.8 μ m gold (500 cycles)
- A 152 : 1.27 μ m gold (500 cycles)
- A 100 : gold flash (200 cycles)



P.C.B. HOLE PATTERN



HIGH POWER CONTACTS



Plating variation

- Standard : 0.8 μ m gold (500 cycles)
- A 152 : 1.27 μ m gold (500 cycles)
- A 100 : gold flash (200 cycles)

CABLE	PART #					
Current	a \pm 0.1	AWG	Stripping	Pin	Socket	
10A	1.75	16	7.5	TDM 53745-8	TDM 53744-7	
20A	2.85	12	7.5	TDM 53745-7	TDM 53744-6	
40A	4.80	8	7.5	TDM 53745-1	TDM 53744-1	

How to order

CONTACTS OUTLET

- 10: Solder Cup(AWG 20)
- 20: Wire-Wrap (3 Wraps)
- 21: Wire-Wrap (2 Wraps)
- 30: Straight P.C.B. 0.60
- 31: Straight P.C.B. 0.72
- 32: Straight P.C.B. 1.02
- 40: 90° P.C.B. 2.54 btwn rows 0.60 dim 7.19 mm
- 41: 90° P.C.B. 2.84 btwn rows 0.72 dim 7.19 mm
- 50: 90° P.C.B. 2.54 btwn rows 0.60 dim 9.40 mm
- 51: 90° P.C.B. 2.84 btwn rows 0.72 dim 9.40 mm

Right Angle Variations

- 0: No Accessories
- 1: With plastic brackets
- 2: With plastic brackets (Thin)
- 3: With metal brackets
- 4: With metal brackets and board locks

SIZE AND NUMBER OF CONTACTS

09, 15, 25, 37, 50 contacts (size E, A, B, C, D)

PLATING

- / : 0.30 standard no designator
- 1 : 0,50
- 2 : 0,80
- M: 1.27 meets MIL Spec

CONTACTS ARRANGEMENT

see page 6

D*W 1 0

1

13W3

25

S

0

SERIES PREFIX

- D*W : Combo Series
- TD*W : Tin Shell

MOUNTING TYPE

- 0 : Standard - 3.05 mm mounting holes
- 1 : Float mounting
- 2 : Reverse mounting
- 3 : Female screw-lock
- 4 : 4-40 clinch nuts (3.5 mm)
- 5 : M3 clinch nuts (3.5 mm)
- 6 : Snap-in Spacers (5.6mm)
- 7 : 4-40 Spacers (5.5mm)
- 8 : 4-40 Spacers front mount
- 9 : M3 Spacers (5.5 mm)

TYPE OF CONTACT

- P : Pin (male)
- S : Socket(female)

please consult factory for every special requirement.